

SCISSORLIFTS WITH DOUBLE DECK EXTENSION



# X XL20 RTE



**AIRO**  
SAFELY, HIGHER.

 MADE IN ITALY



## PERFORMANCES

High performance and versatility make this series particularly suitable for work on construction sites, but also for industrial maintenance work thanks to its powerful but eco-friendly electric motor and non-marking off-road tyres.

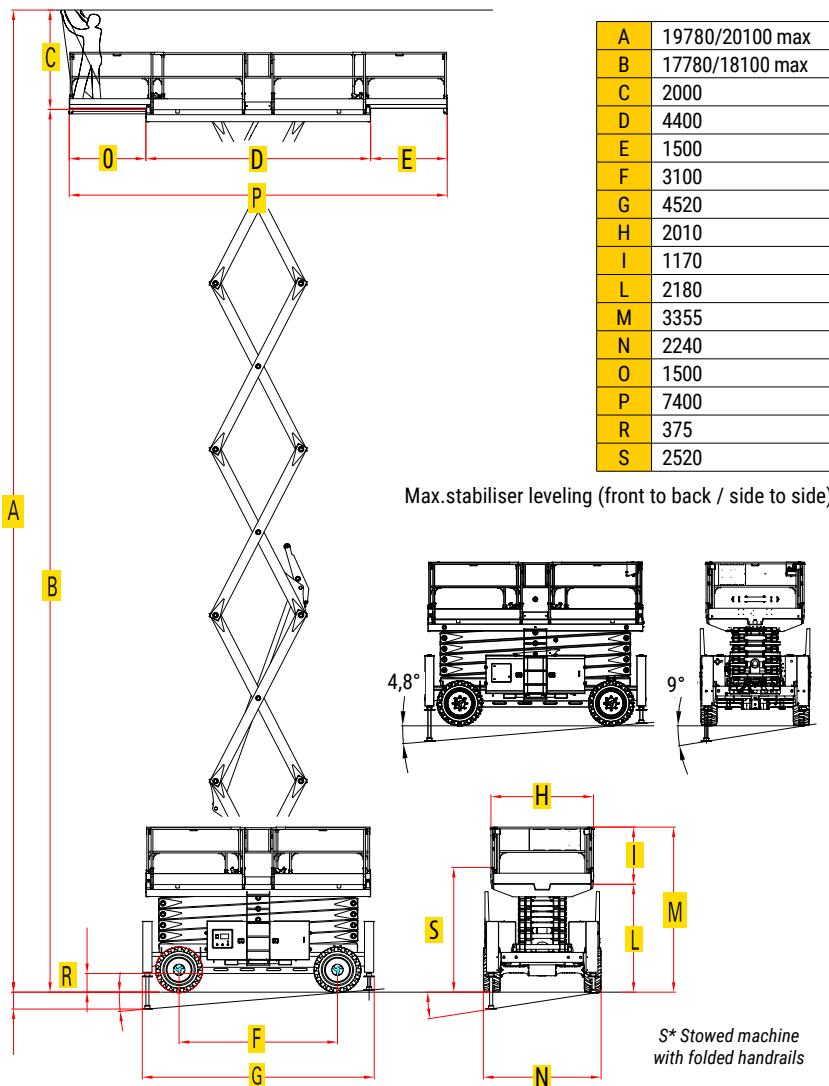
## ADVANTAGES

The huge double deck platform (up to 7.4m), with a load capacity of 700kg (including up to 6 people), driveability up to the maximum working height, 4WD with oscillating axle that guarantee excellent control in the rough terrain, the AC motor drive enables low maintenance costs and zero-emission operation. All advantages that place this series at the top of the industry.

## VALUES

40 years of experience in design and manufacturing are a guarantee of reliability and durability.

## Technical data



## Standard Equipment

- Electric drive with AC motor and mechanical transmission with 4 WD / 2 WS and oscillating axle
- Proportional controls for drive, lifting and lowering
- Manual differential lock
- Huge deck with 2 lateral full height entry gates and foldable handrails
- Electric scissor protection
- Horn, hour meter and inclinometer
- Tilt switch dependent on travel height
- Pin based load limiter on platform
- Ground Control System with integrated diagnostics via touch screen (Advanced Touch Control System) with simple and intuitive icons
- Removable platform console with base connection for loading/unloading operations
- 4 Hydraulic stabilizers with automatic and manual levelling and flashing warning lights
- Lateral forklift pockets
- Anchorage and lifting points
- 230V electric line predisposition on the platform
- Non Marking Solid Air Tyres
- Telematic connector
- Declaration of conformity **CE**

## Options & Accessories

- Control box protection cap
- 230V power line on platform
- 230V power line on platform with circuit breaker
- SAFE Secondary protection system
- Fleet management Kit
- Powered Dual Deck Extension
- Air/Water line to platform with quick coupling
- Traction battery 48V/ 520Ah
- Kit for centralized battery topping

TECHNICAL SPECIFICATIONS		XL20 RTE
Max. working height	mm	19780
Max. platform height	mm	17780
Max. travel height	m	max
Total capacity /n° of persons	kg	700/6
Capacity on deck extension	kg	520/4
Manual roll-out extension deck, both sides	m	1,50
Lifting time	s	110
Lowering time	s	90
Power supply		2 electric motors AC 8.5 - 12 kW
Starter battery	V/A	-
Battery charger	V/A	48V 60 A
Battery capacity	V/Ah(cs)	48V 455 Ah
Oil tank capacity	l	90
Fuel tank capacity	l	-
Drive speed (safety/fast)	Km/h	0,4/4,5
Inclination long. /trav.	°	3-5/1,5 - 4
Gradeability	%	40
Inside / Outside turning radius	m	4,30/7,55
Tyres size /type	mm	Ø 300 Solid Air
Total weight	kg	11035

Remark: version without outriggers available on request

Tigieffe Srl follows a policy of continuous product improvement. Photographs used may represent version including accessories and options. Specifications are indicative and subject to change without notice. Some accessories or national standards may result in a weight increase. Technical specifications may vary according to national standards or in addition of optional version.

